


CERBERE MODULE (patented product)

– CAP0060 (-55°/-10° + 10°/55°) –

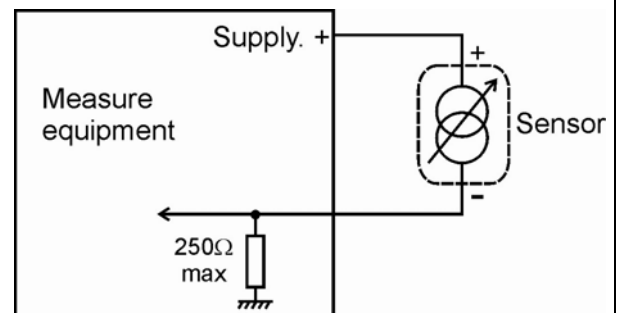
The "Cerberere" module is a sensor of absolute inclination 1 axis.

	SETTING	By 2 screws
	CABLE TYPE	2 wires of 0,22mm ²
	CABLE LENGTH	10 meters
	DETECTION PRINCIPLE	Gravity measure
	ALIMENTATION	From 12 to 30 VCC (Typ. 15VCC)
	SUPPLY	0,3 VA maxi at 15VCC
	RANGE	-55° to -10° / 10° to 55°
	ANGULAR ACCURACY	±0.5° maxi
	TEMPERATURE RANGE	-25°C / 80°C
	OUTPUT	4/20 mA linear depending on the selecting switches position at ±0.2%

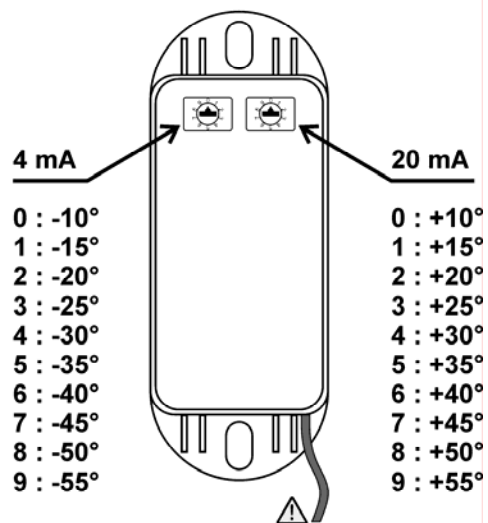
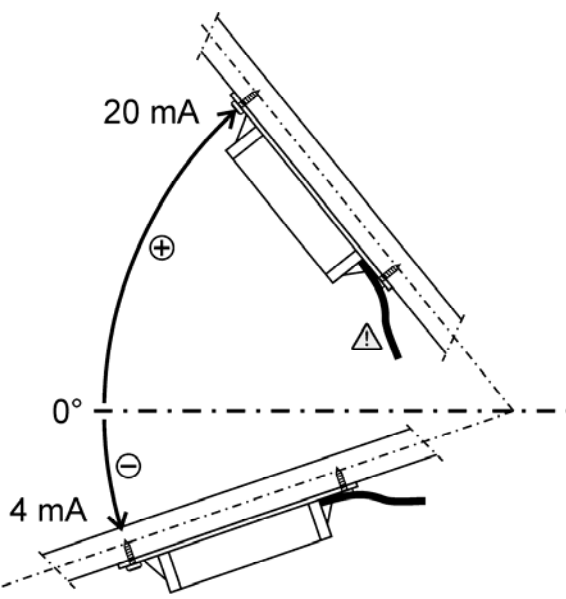
Connecting

DESCRIPTION	COLOR
Supply +	WHITE
Signal 4/20mA	BLUE

IMPEDANCE OF CHARGE	
Maximum value of impedance	12 V = 250 Ω
	15 V = 400 Ω
	24 V = 850 Ω



Settings



IMPORTANT :

- The cable must be oriented on the side of the vent axis
- The module must be assembled indoor (selecting switches toward the floor)