

# MEC0102



## Manual gear for strip separation ventilation

### Supplementary products

- Hook handle: MEC021X

### Description

Non reversible transmission under load

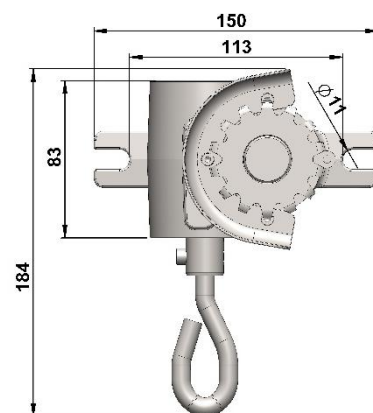
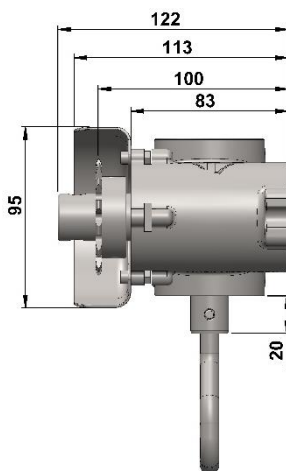
Sealed motor on bearings in white powder coated aluminium casing

Stainless steel drive shaft

Corrosion treated steel pinion and chain guide

### Specifications

Gear	1/23 <sup>rd</sup>
Operation	Handle
Max. ventilation length	15Nm
Input torque	15Nm
Output torque	130Nm
Weight	2.1kg
Number of spacing points	25



880 rue Léo Baekeland  
85290 Mortagne sur Sèvre- France  
+33 (0)2 02 51 63 02  
contact@anjouautomation.fr