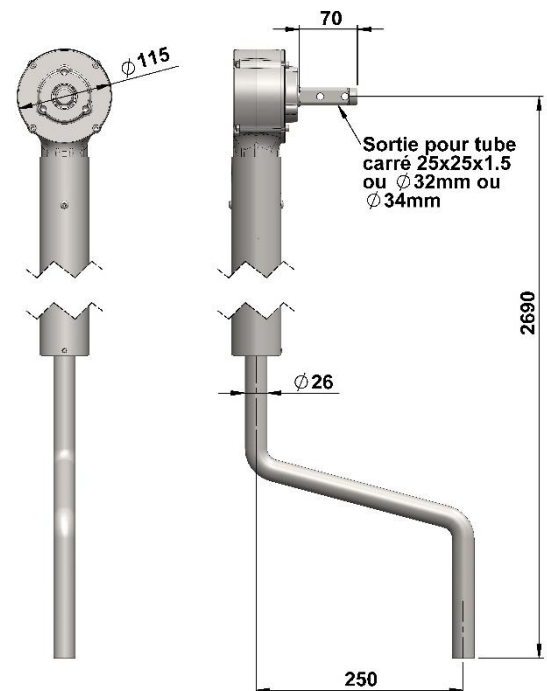


MEC0142



1/4 direct roll-up gear (max. height: 3.50m)

Description	Specifications
Non reversible transmission under load	Gear 1/4
Sealed assembly on bearings in a white powder-coated aluminium casing with top-up greaser	Operation Manual
Zinc plated output shaft for Ø32mm, Ø34 or square 25x25x1.5 roll-up tube	Ø60 (aluminium tube) max. single rolling length 30m
Galvanised steel Ø26 tube handle	Ø32 or Ø34 max. single rolling length 40m
	Input torque 12Nm
	Output torque 42Nm
	Weight 9.2kg



880 rue Léo Baekeland
85290 Mortagne sur Sèvre- France
+33 (0)2 02 51 63 02
contact@anjouautomation.fr

 **Anjou
Automation**
L'innovation est notre culture