

MEC0125



Manual 1/23th direct roll-up ventilation gear

Supplementary products

- Handle: MEC0203
- Screwer kit: MEC0132

Description

Non reversible transmission under load

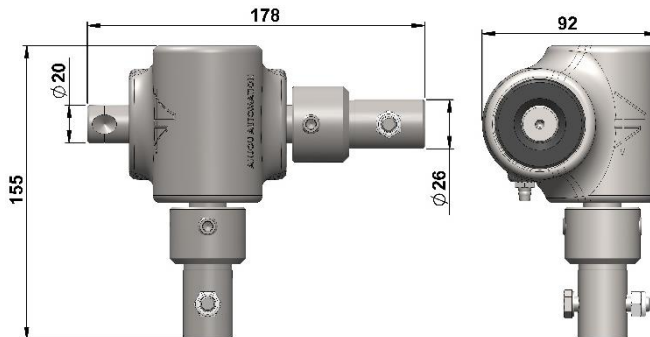
Sealed assembly on bearings in a white powder-coated aluminium casing with top-up greaser

Stainless steel drive shaft

Manual operation with interior diameter 26mm tube (to be provided by the customer) and MEC0203 handle

Specifications

Gear	1/23rd
Operation	Manual
Ø60 tube max. double rolling length	50m
Ø32 tube max. rolling length	75m
Input torque	15Nm
Output torque	70Nm
Weight	2.5kg



880 rue Léo Baekeland
85290 Mortagne sur Sèvre- France
+33 (0)2 02 51 63 02
contact@anjouautomation.fr

 **Anjou
Automation**
L'innovation est notre culture