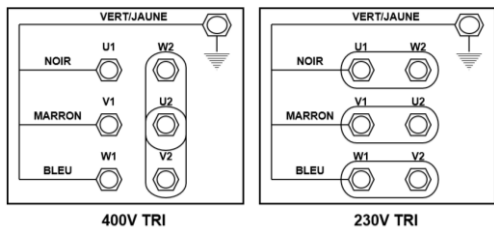
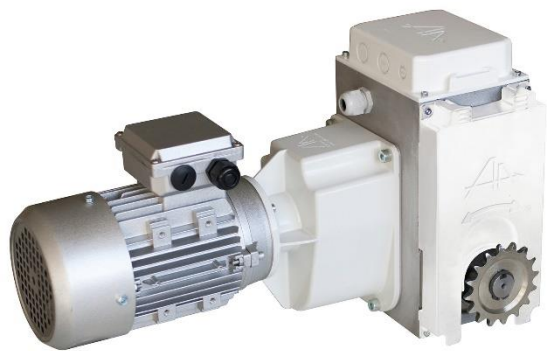


# MEC1407-32



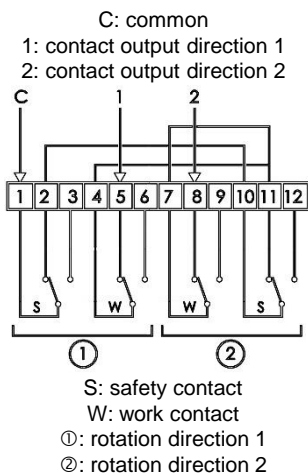
## Opening/shading motorisation + Ø32 chain couplings



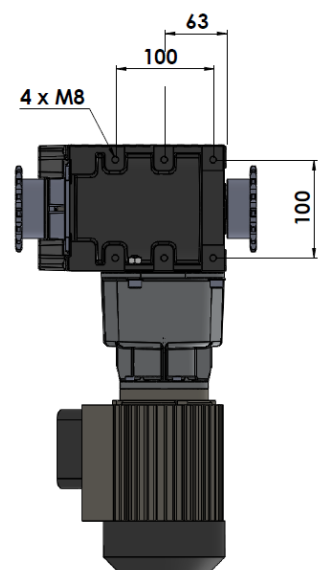
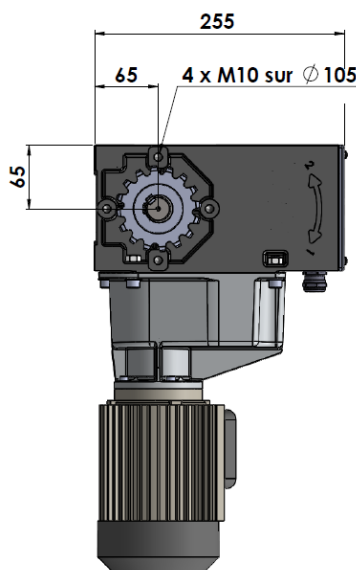
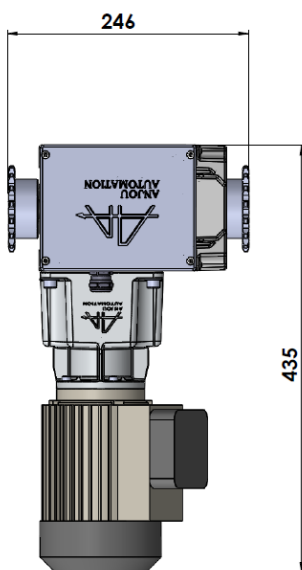
Raccordement de la plaque à bornes



Ø32 tubular chain coupling: MEC1100



Limit switch wiring diagram



### Description

Sealed construction in aluminium casing

Non reversible under load

Manual operation on electric motor

Tool-free leak tight adjustable limit switch

Adjustable 33 rotation limit switch stroke

Location reserved for addition of the MISSI line

Two possible fixtures: side and back

### Specifications

Torque 160Nm

Coupling Ø32 tubular chain

Rotation speed 5.0rpm

Motor power 0.25kW

Three-phased 50Hz – 230/400V 1.3A  
60Hz – 280/460V 0.8A

Weight 26kg