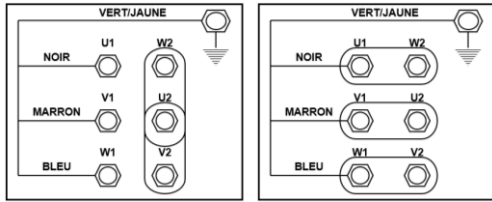
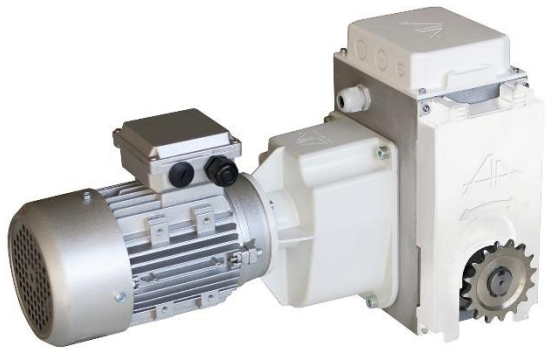


MEC1405-34



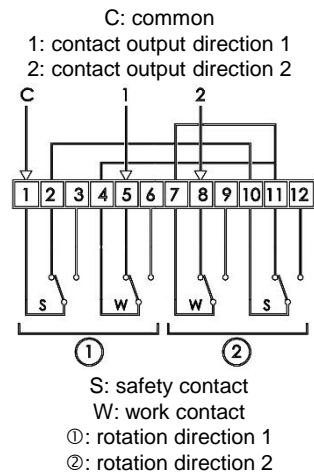
Opening/shading motorisation + Ø34 chain couplings



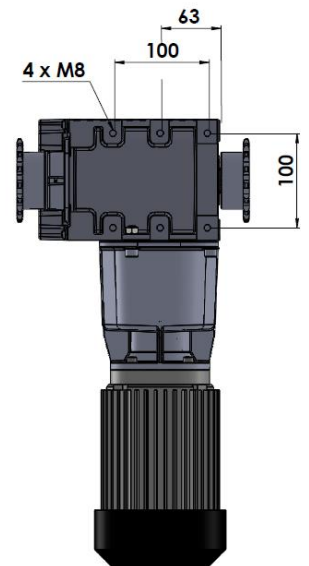
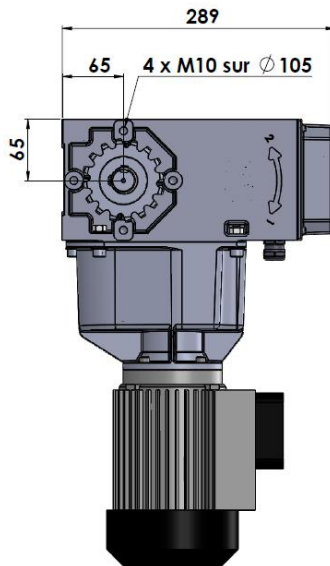
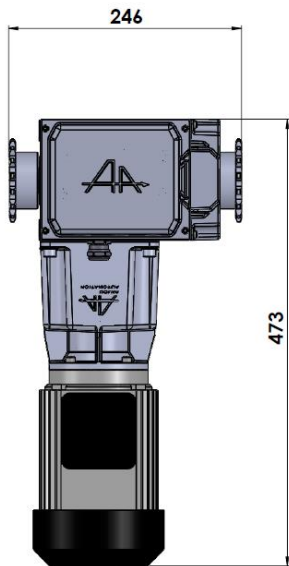
Raccordement de la plaque à bornes



Ø34 tubular chain coupling: MEC1101



Limit switch wiring diagram



Description

Sealed construction in aluminium casing

Non reversible load

Manual operation on electric motor

Tool-free leak tight adjustable limit switch

Adjustable 33 rotation limit switch stroke

Location reserved for addition of the MISSI line

Two possible fixtures: side and back

Specifications

Torque	550Nm	
Coupling	Ø34 tubular chain	
Rotation speed	2.8rpm	
Motor power	0.55kW	
Three-phased	50Hz – 230/400V	2.6A
	60Hz – 280/460V	1.5A
Weight	26kg	