

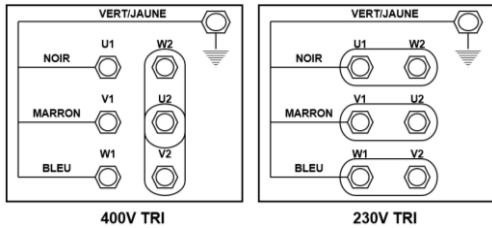
MEC1403-32



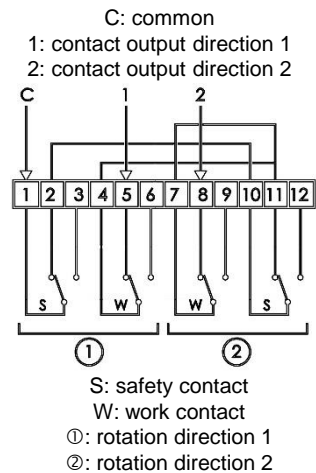
Opening/shading motorisation + Ø32 chain couplings



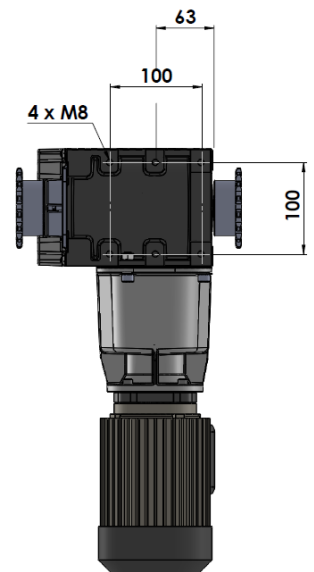
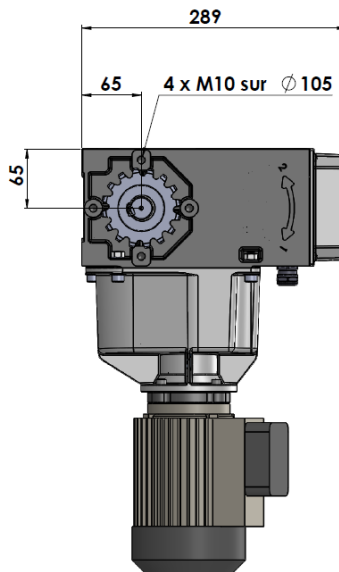
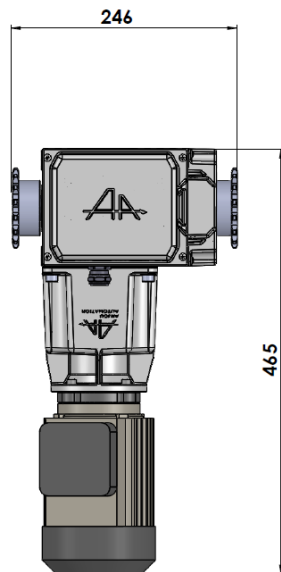
Ø32 tubular chain coupling: MEC1100



Raccordement de la plaque à bornes



Limit switch wiring diagram



Description

Sealed construction in aluminium casing

Non reversible load

Manual operation on electric motor

Tool-free leak tight adjustable limit switch

Adjustable 33 rotation limit switch stroke

Location reserved for addition of the MISSI line

Two possible fixtures: side and back

Specifications

Torque 250Nm

Coupling Ø32 tubular chain

Rotation speed 2.8rpm

Motor power 0.25kW

Three-phased 50Hz – 230/400V 1.3A
60Hz – 280/460V 0.8A

Weight 26kg