

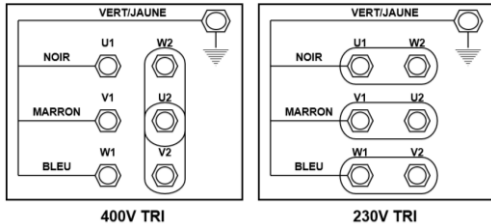
MEC1205



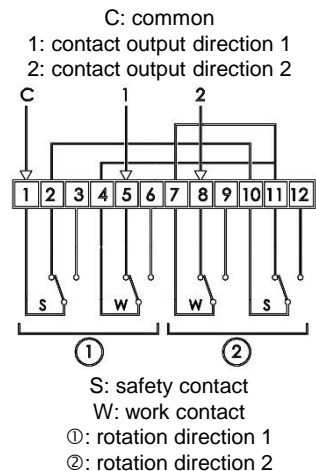
5 rpm motorisation for roll-up ventilation



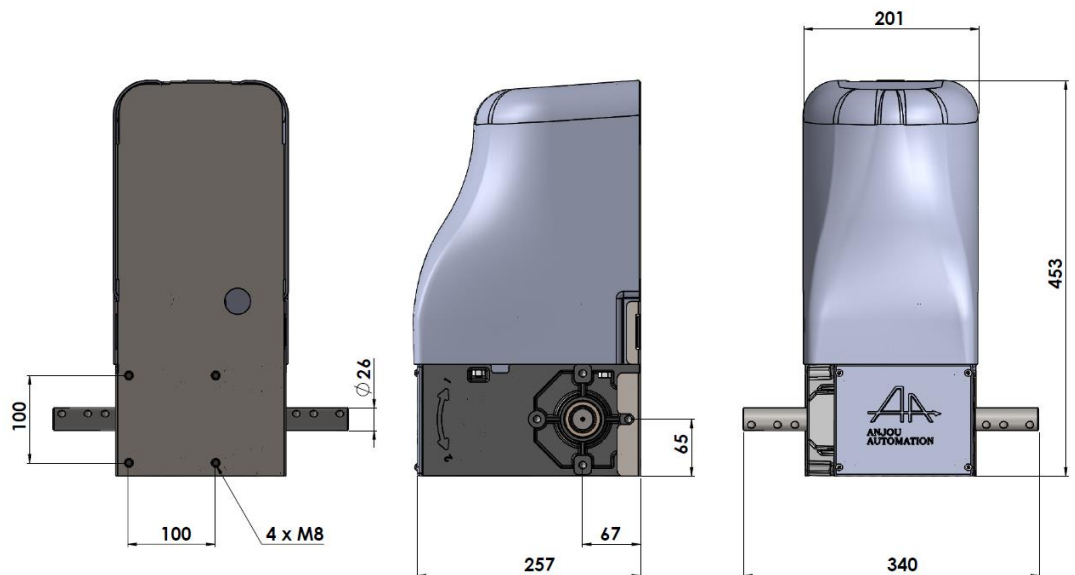
Description	Specifications	
Sealed construction in aluminium casing	Torque	160Nm
Non reversible under load	Rotation speed	5.0rpm
Manual operation on electric motor	Motor power	0.25kW
Tool-free leak tight adjustable limit switch	Power supply:	
Adjustable 50 rotation limit switch stroke	3~ 50Hz 230V / 3~ 60Hz 280V	1.3A
ABS external casing	3~ 50Hz 400V / 3~ 60Hz 460V	0.8A
Stainless steel output shaft	Max. length Ø60mm	110m
Silent running	Max. length for Ø60mm double rolling	70m
	Max. length Ø32mm	150m
	Weight	23kg



Raccordement de la plaque à bornes



Limit switch wiring diagram



880 rue Léo Baekeland
 85290 Mortagne sur Sèvre- France
 +33 (0)2 02 51 63 02
contact@anjouautomation.fr

Anjou Automation
 L'innovation est notre culture